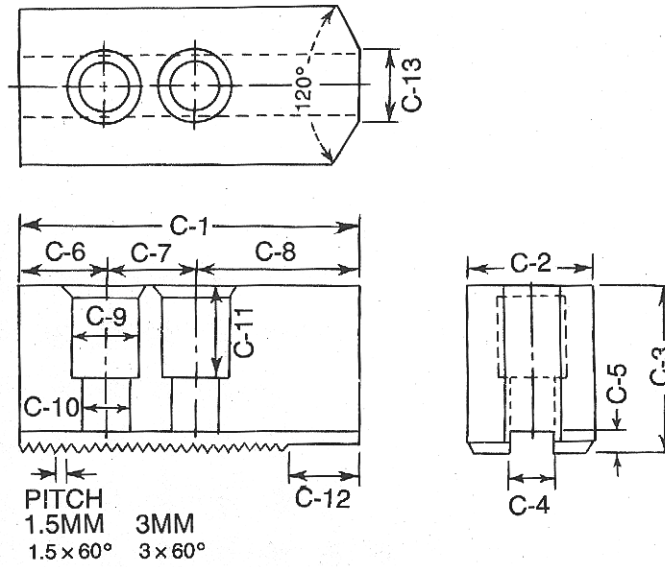




**Special Jaw
Dimension Sheet.**



Please fill in the blanks below with the dimensions that you require.

C1: _____ C2: _____ C3: _____ C4: _____ C5: _____ C6: _____ C7: _____
 C8: _____ C9: _____ C10: _____ C11: _____ C12: _____ C13: _____ Pitch: _____

Quantity: _____

Please leave us your contact details below.

Company: _____

Address: _____

Contact name: _____ Contact phone number: _____

Contact fax number: _____ Contact email address: _____